

BiSS AC-05-XXLX Series of Mechanical LCF (low-cycle fatigue) grips are designed to perform LCF test in accordance with ASTM E606. These grips are light in weight, easy in handling and self-aligning with a spherical seats at either ends to counter possible misalignment. High temperature grips are rated up to 1000 °C. The pull rod, pin and adapter are made of high-temperature super alloys and extend into the heated zone of the furnace by which thermal gradients within the specimen are minimized.

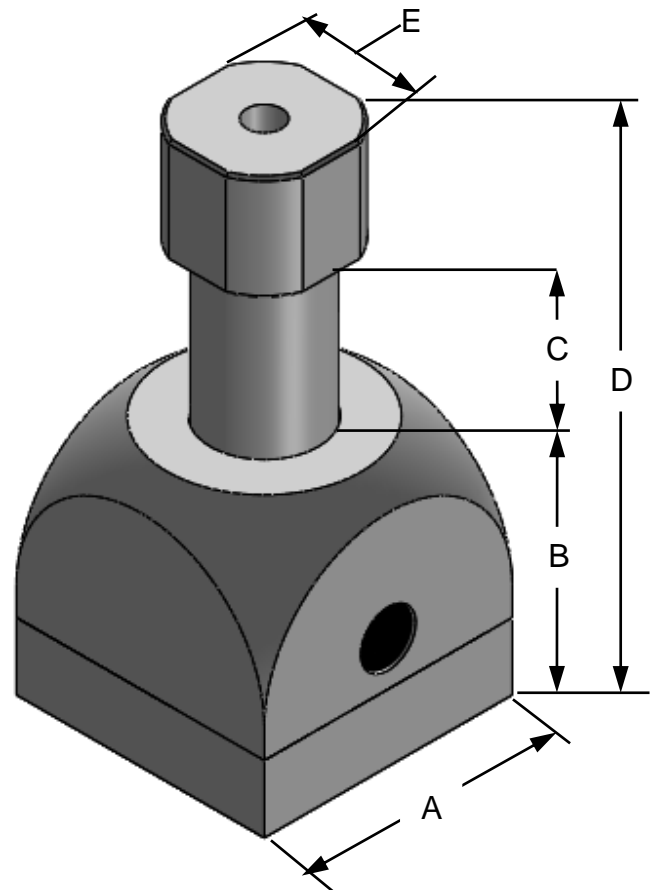
Standard features

- Light weight
- Easy handling
- In accordance with ASTM E606
- Rated up to 1000 °C temperature



Specifications

Model No.	Capacity	Working temperature	A	B	C	D	E	Mounting thread size
	kN		mm					
AC-05-01L1	25	Room	85	85	52.5	173	Ø50	M16 STD RH
AC-05-01L2	50		120	135	78	256	Ø55	M27 × 2 RH
AC-05-02L1	25	up to 1000 °C	85	85	67.5	188	Ø55	M16 STD RH



Note: Products and accessories can also be customized as per requirement.